

200 SERIES

Reservedeliste

Spare parts list

Ersatzteilliste

Onderdelenlijst

Liste de pièce de rechange

Lista de Piezas

Parti di ricambio

ROTAVATOR 200

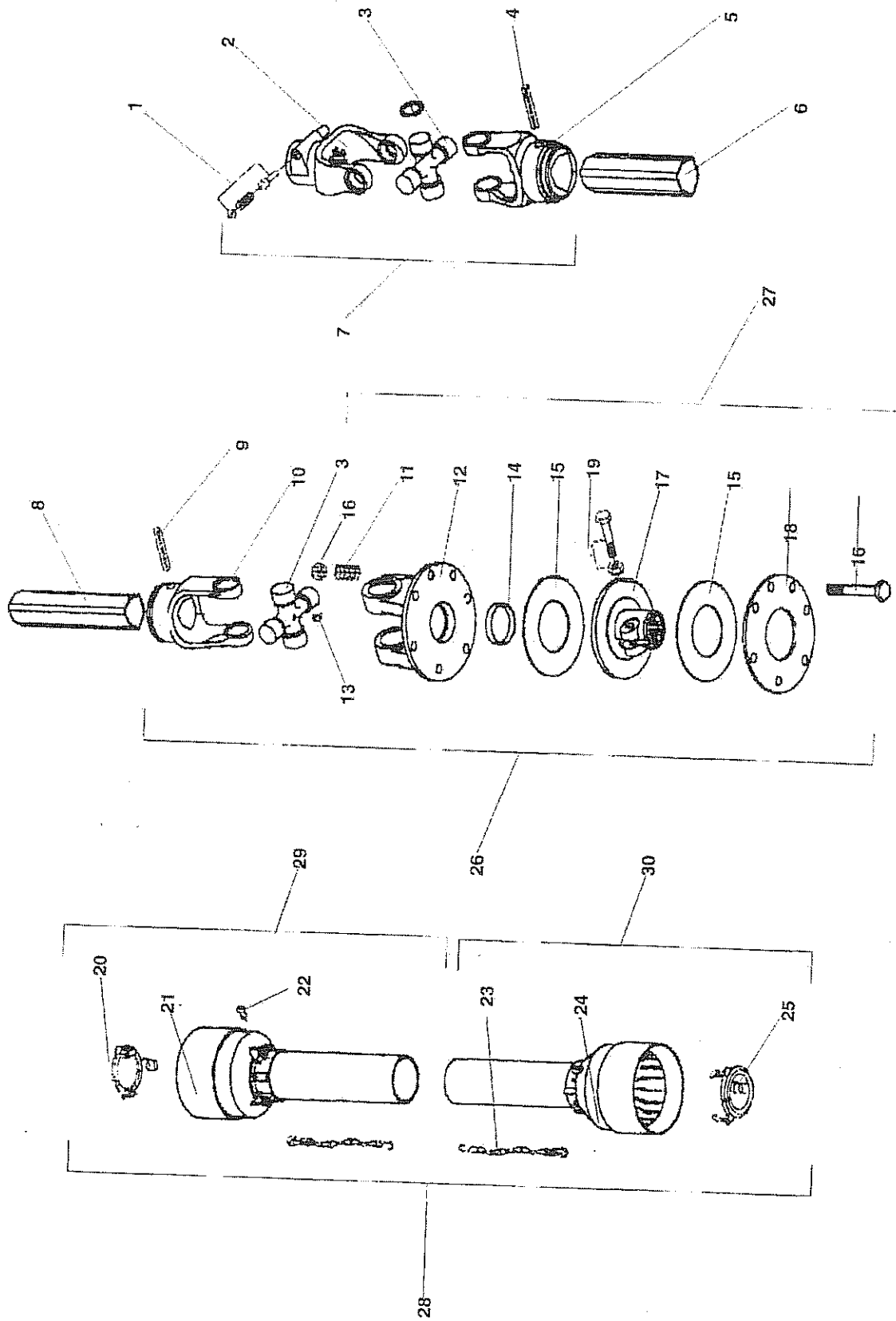


Fig.	Serial n°	Part n°	Pieces	Notes
1	74 000667875	1		
2	74 000667876	1		
3	74 000667877	1		
4	74 000667878	1		
5	74 000667879	1		
6	74 000667880	1		
7	74 000667881	1		
8	74 000667882	1		
9	74 000667883	1		
10	74 000667884	1		
11	74 000667885	1		
12	74 000667886	1		
13	74 000667887	1		
14	74 000667888	1		
15	74 000667889	2		
16	74 000667890	6		
17	74 000667891	1		
18	74 000667892	1		
19	74 000667893	1		
20	74 000667894	1		
21	74 000667895	1		
22	74 000667896	1		
23	74 000667897	2		
24	74 000667898	1		
25	74 000667899	1		
26	74 000667900	1		
27	74 000667901	1		
28	74 000667902	1		
29	74 000667903	1		
30				

ROTAVATOR 200

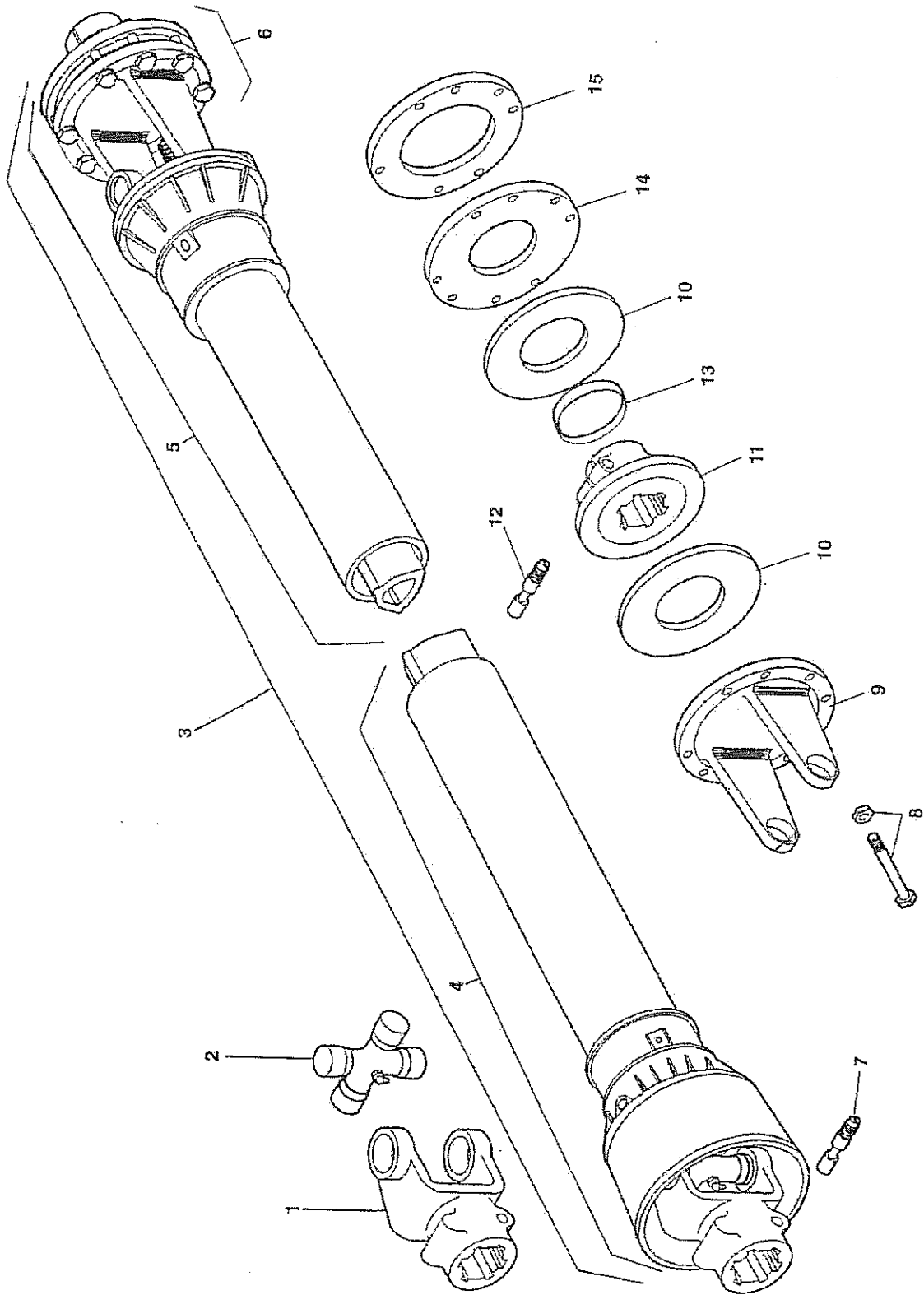


Fig.		Serial n°	Part n°	Pieces	Notes
1		74 9668855 00	1		
2		74 9668856 00	2		
3		74 9668857 00	1		
4		74 9668858 00	1		
5		74 9668859 00	1		
6		74 9668860 00	1		
7		74 9668861 00	1		
8		74 9668862 00	8		
9		74 9668863 00	1		
10		74 9668864 00	2		
11		74 9668865 00	1		
12		74 9668866 00	1		
13		74 9668867 00	1		
14		74 9668868 00	1		
15		74 9668868 00	1		

ROTAVATOR 200

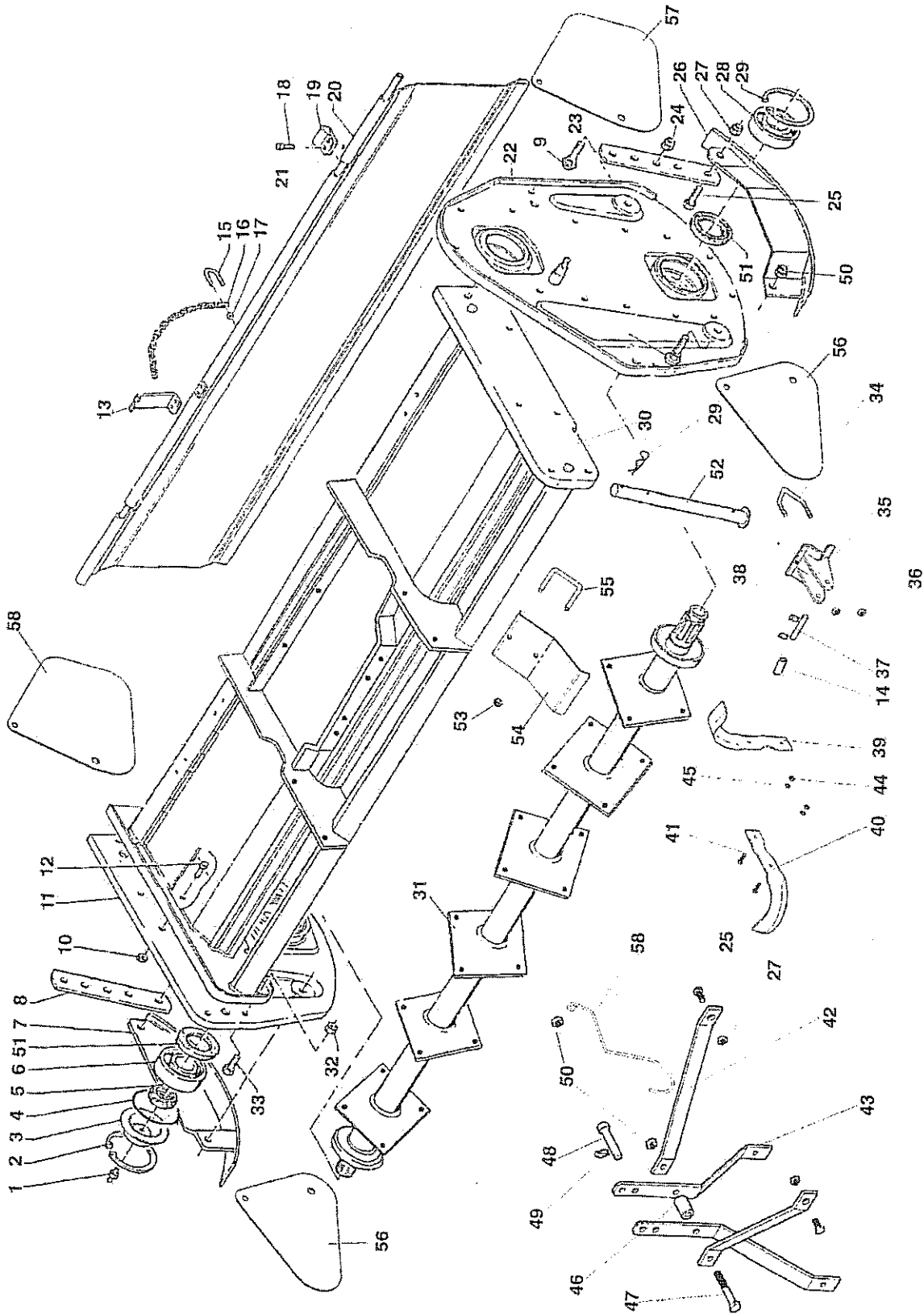


Fig.	Serial n°	Part n°	Pieces	Notes
1	202 030 020	1	1/8"	
2	208 001 320	1	Circlip I-80	
3	74 000667677	1		
4	202 023 950	1	O-ring	
5	74 000667685	1		
6	253 580 211	1	Bearing #6307	
7	74 000667648	1		
8	74 000667678	1		
9	310 012 300	2	Bolt M12 x 30mm.	
10	307 210 050	1	Lock nut M10	
11	74 000667647	1		
12	301 210 200	1	Bolt M12 x 20 mm.	
13	74 000667670	1		
14	74 000667701	2	Cal.1	
15	74 000667687	1		
16	74 000667676	1	Nut M8	
17	307 208 010	4		
18	301 208 200	#	Bolt M8 x 20 mm.	
19	74 000667684	#		
20	74 000667637	1	O85	
20	74 000667638	1	105	
20	74 000667639	1	125	
21	307 208 050	#	Locknut M8	
22	74 000667646	1		
23	74 000667678	1		
24	307 212 050	2	Locknut M12	
25	301 212 300	2	Bolt M12 x 30 mm.	
26	74 000667649	1		
27	307 212 050	6	Locknut M12	
28	253 580 211	1	Bearing #6307	
29	74 000649654	1		
30	74 000667642	1	O85	
30	74 000667641	1	105	
30	74 000667640	1	125	
31	74 000667665	1	O85	
31	74 000667664	1	105	
31	74 000667663	1	125	
32	307 210 050	8	Locknut M10	
33	301 210 200	6	Bolt M10 x 20 mm.	
34	74 000667681	2		
35	74 000667669	2		
36	307 214 050	4	Locknut M14	
37	74 000667398	2	Cat. 0	
38	74 000667415	4	Pin	
39	73 000009941	#	1	
40	73 000009942	#		
41	101 107 140	#		
42	74 000667408	2	Bolt 7/8" x 40 mm.	
43	74 000667698	2		
44	74 000661188	#	Nut 7/8"	
45	108 071 240	#		
46	74 000640616	1	Spring washer 7/8"	
47	301 612 125	1		
48	74 000667406	1	Bolt M12 x 125 mm.	
49	74 000667415	1		
50	307 212 050	2	Locknut M12	
51	267 240 102	2	Seal 72 x 40 x 10 mm.	
52	74 9668835 00	1		
53	307 208 050	#	Locknut M8	
54	74 9668390 01	2	O85 - 105	
54	74 9668390 02	2		
55	74 9668399 00	2	125	
56	74 9668470 00	2		
57	74 9668471 00	2		
58	74 9668750 03	1		

ROTAVATOR 200

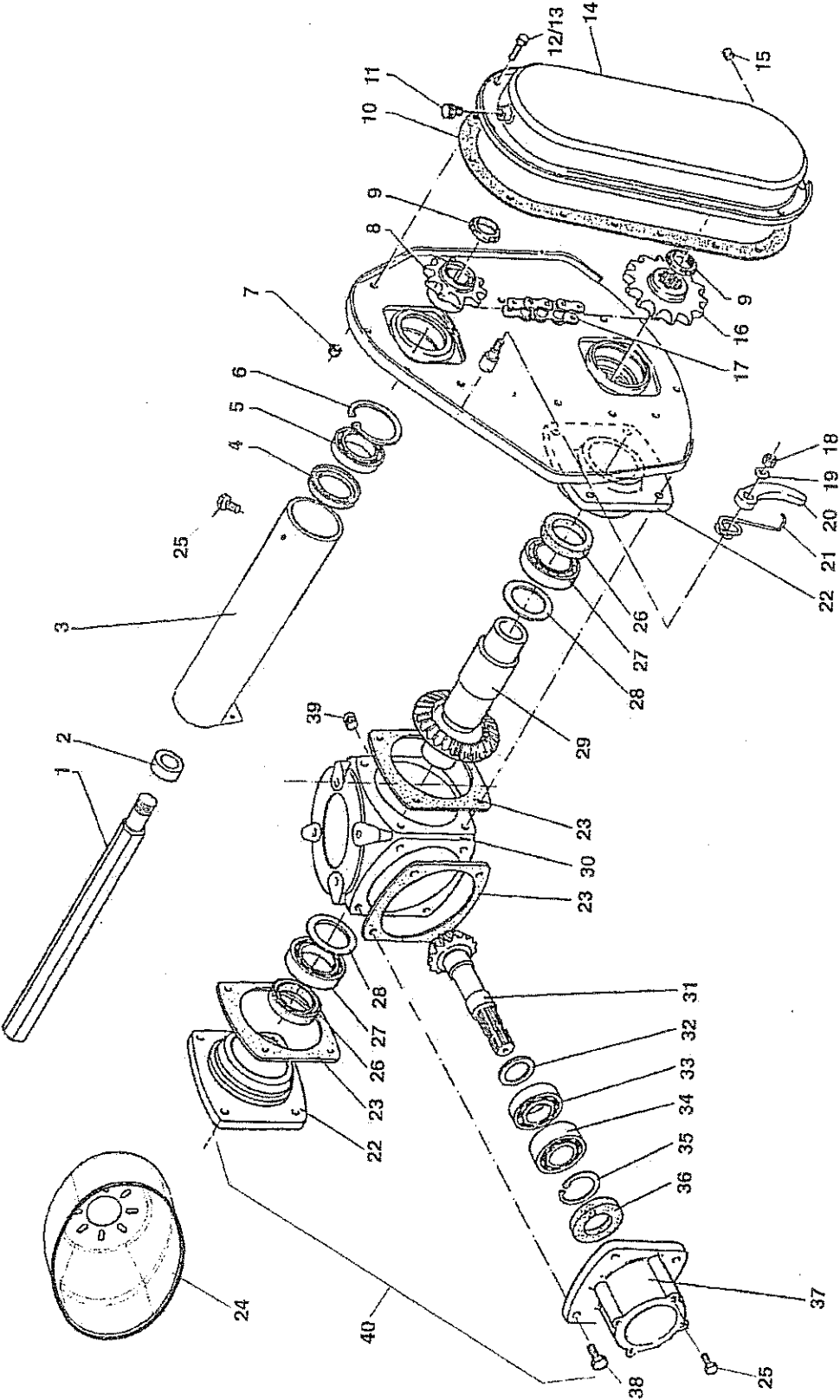


Fig.	Serial n°	Part n°	Pieces	Notes
1	74 000667658	1	085	
1	74 000667657	1	105	
1	74 000667656	1	125	
2	74 000667667	1	1	
3	74 9668787 08	1	085	
3	74 9668787 10	1	105	
3	74 9668787 12	1	125	
4	266 545 081	1	1	Seal 45 x 65 x 10 mm.
5	253 580 211	1	1	Bearing #6307
6	208 001 320	1	1	Circlip 1-80
7	307 208 050	14	14	Locknut M8
8	74 000667650	1	1	Z 11
9	74 000667686	1	1	208056910
10	74 000667655	1	1	
11	203 031 180	1	1	Plug 3/8"
12	301 208 200	11	11	Bolt M8 x 20 mm.
13	301 208 250	3	3	Bolt M8 x 25 mm.
14	74 000667654	1	1	
15	203 031 160	1	1	Plug 1/8"
16	74 000667651	1	1	Z 14
17	74 000667680	1	1	Chain 1" x 36
18	307 210 050	1	1	Locknut M10
19	308 100 020	1	1	Flat washer
20	74 000667652	1	1	
21	74 000667653	1	1	
22	222 027 011	1	1	
23	222 027 013	1	1	
24	74 000667679	1	1	
25	301 408 150	4	4	Bolt M8 x 15 mm.
26	266 550 081	1	1	Seal 50 x 65 x 8 mm.
27	255 080 161	1	1	Bearing #6010
28	222 027 020	1	1	
29	74 000667906	1	1	Z 24
30	222 027 010	1	1	
31	74 000667907	1	1	Z 13
32	222 027 019	1	1	
33	253 572 181	1	1	Bearing #30207
34	253 572 171	1	1	Bearing #6207
35	208 002 380	1	1	Circlip
36	267 235 103	1	1	Seal 35 x 72 x 10 mm.
37	222 027 012	1	1	
38	301 412 255	4	4	Bolt M12 x 45 mm.
39	203 031 180	1	1	Plug 3/8"
40	74 000667662	1	1	Gearbox